

Overview

JetWave 2316 is an industrial grade Secure Cellular + 802.11n 2.4G WIFI IP Gateway with 4xGT + 2G SFP Switch ports, which enables multiple Ethernet ports and RS232-422-485 serial port access over LTE network.

R&TTE Directive 1999/5/EC Declaration

The product may be operated in all European Union countries. While you see the CE Marking printed on our product, it indicates the product complies with the requirement of the R&TTE (1999/5/EC) Directive. You can download the formal document of the product from our Web site or send inquiry to our Sales/Technical people.

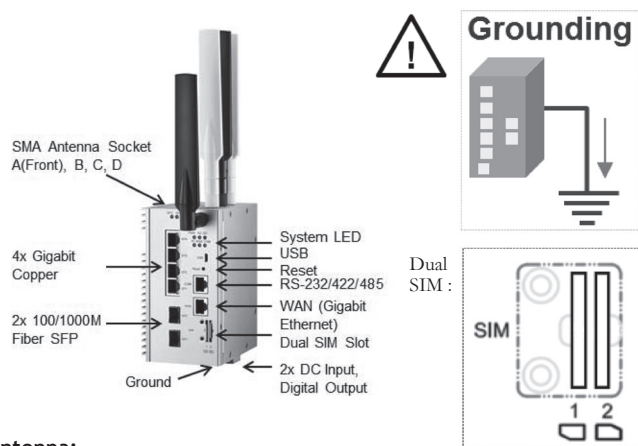
Band Information

Model Name	JetWave 2316-LTE-E	JetWave 2316-LTE-U
Operating Frequency	2.412-2.472GHz LTE Band 20/8/3/7/1	- LTE Band 17/5/4/2

General Requirement

Only trained and qualified personnel should be allowed to install, replace, or service this equipment. The device can only be operated according to the technical specification. Read the installation instructions/user manual, including Power, Cable, Antenna, Warning info and well Grounding is must before connecting the system to the power source.

Appearance



Antenna:

Antenna	2316-LTE-E	2316-LTE-U
A	LTE-Aux	LTE-Aux
B	WIFI 1-1	-
C	LTE-Main	LTE-Main
D	WIFI 1-2	-



Installation

DC Input

Insert the positive and negative wires into the V+ and V- contact on the terminal block connector. The device supports dual DC power input, the typical power source is DC 24V (range from 12~48VDC).

Insert the SIM

- ▶ Unlock the front plate of Dual SIM Socket.
- ▶ Insert the SIM card into SIM 1 (Default startup SIM Socket is SIM 1) before power on system. The system may take around 1 minutes to startup, and then it will automatically connect to your ISP.
- ▶ If you want to use SIM 2 for carrier provider redundant, please insert the 2 SIM cards before power on the system. If you want to use SIM 2 as startup SIM socket, please go to Web GUI to modify the setting.
- ▶ If you insert the SIM after power on, the system may take around 30 second to re-read the SIM card info.
- ▶ If the Cellular connection is not connected, please go to Web GUI to check the Cellular Status, Settings or download the debug info for us.

Mounting The Unit/Antenna and well Ground is MUST

- ▶ JetWave 2316 supports Din-Rail mounting, the mounting kit is pre-installed. You can mount the device to the DIN Rail directly.
- ▶ Connect the Ethernet cable, Antenna, extended antenna cable and Ground before power on the system. Grounding is important and MUST in field.

Web GUI

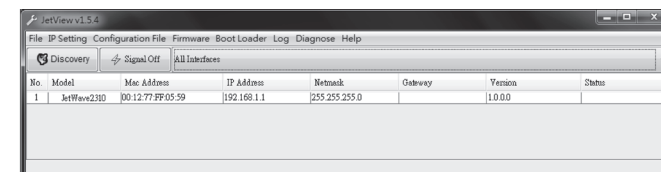
The JetWave 2316 Series provides web management interface for basic and advanced settings. Before configuration, please make sure your system meets the following requirements:

- ▶ A computer coupled with 10/100/1000 Base-T(X) adapter.
- ▶ Configure the computer with a static IP address of 192.168.10.X/192.168.1.x (X cannot be 0, 1, nor 255).
- ▶ The product works as Router mode in default. The GT1 to GT4, GF1 and GF2 are LAN ports, the default IP address is "192.168.10.1".
- ▶ The default IP Address of WAN port is "192.168.1.1"
- ▶ The WIFI default setting of JetWave 2316 is AP mode, SSID is "JetWave2300_1", operate in 2437MHz (channel 6).
- ▶ Open web browser (Ex: IE, Chrome, Firefox...) and enter the IP address of the product. You will see the System Login page.
- ▶ The default User Name is "admin".
- ▶ The default Password is "admin".
- ▶ Check User Manual for advanced settings.
- ▶ IF the web browser is not access, please check your firewall, JAVA version or contact your support window for further help.
- ▶ Note: If you forget the IP Address, you can use Korenix View Utility to search the device's IP address, it can be found at Download page of the Korenix web site: <http://www.korenix.com>

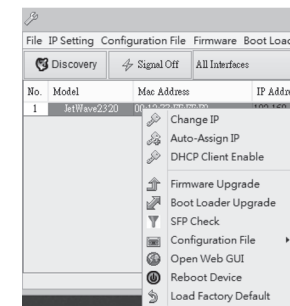
Korenix View Utility

The Korenix View Utility provides you convenient tool to scan the network and configure the connected Korenix device.

- Step 1: Open the Korenix View Utility. (Must later than JetView V1.6)
- Step 2: Select the correct NIC (Network Interface Card) from the NIC list.
- Step 3: Click "Discovery", and then the Nodes and its IP address can be found and listed in Node list.



- Step 4: After you scan the network, select the device and click "Open Web GUP" to access the web management interface. You can also modify the IP address/Netmask directly on the selected entry and then click "Change IP" to change IP settings.



Note: Please check the User Manual to configure the other software settings.

Support

5 Years Warranty

Each of Korenix's product is designed, produced, and tested with high industrial standard. Korenix warrants that the product(s) shall be free from defects in materials and workmanship for a period of five (5) years from the date of delivery provided that the product was properly installed and used.

This warranty is voided if defects, malfunctions or failures of the warranted product are caused by damage resulting from force measure (such as floods, fire, etc.), other external forces such as power disturbances, over spec power input, or incorrect cabling; or the warranted product is misused, abused, or operated, altered and repaired in an unauthorized or improper way.

Attention! To avoid system damage caused by sparks, please DO NOT plug in power connector when power is on.

The product is in compliance with Directive 2002/95/EC and 2011/65/EU of the European Parliament and of the Council of 27 January 2003 on the restriction of the use of certain hazardous substances in electrical and electronics equipment (RoHS Directives & RoHS 2.0)

Korenix Customer Service

KoreCARE is Korenix Technology's global service center, where our professional staffs are ready to solve your problems at any time.

Korenix global service center: KoreCARE@korenix.com.

Document download: <http://www.korenix.com> -> Download

korenix

A Beijer Electronics Group Company

JetWave 2316 系列
工业用 Cellular + WIFI IP, 4千兆电口+2千/百兆光口IP 网关
快速安装指南 V1.0

概述

JetWave 2316 是工业级的 Cellular + WIFI IP Gateway 安全网关，并配置有4个千兆以太电口与2个千/百兆光口，它能提供客户可以透过 Cellular 联机存取工业以太网网络。2316 也支援 802.11n(2.4G)，可达 2T2R 300兆带宽，可应用于 WIFI/Cellular 需整合或备援之场合。

频段信息

产品名称	JetWave 2316-LTE-E	JetWave 2316-LTE-U
操作频段	2.412-2.472GHz	-
	LTE Band 20/8/3/7/1	LTE Band 17/5/4/2

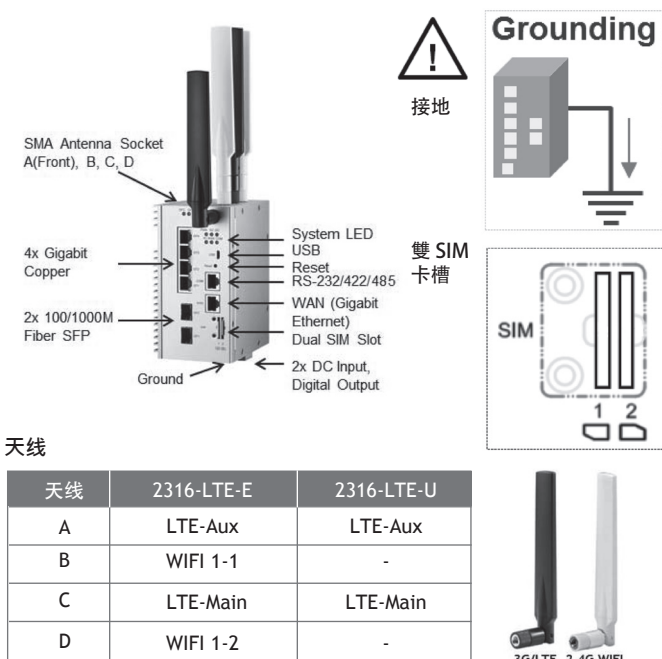
R&TTE指令1999/5/EC宣告

本产品可以在所有欧洲联盟成员国进行。当您看到CE标志印在我们的产品，表示产品符合R&TTE(1995/5 / EC)指令的要求。您可以从我们的网站下载该产品的正式文件或发送请求到我们的销售/技术人员。

一般要求

只有经过培训的合格人员才能安装，更换或维修此设备。该设备只能按照技术规范操作。系统连接到电源之前，请阅读安装说明，包括电源、接地、电缆、天线和警示手册的信息。

外观说明



天线

天线	2316-LTE-E	2316-LTE-U
A	LTE-Aux	LTE-Aux
B	WIFI 1-1	-
C	LTE-Main	LTE-Main
D	WIFI 1-2	-



安装

直流输入

将正负极导线分别接入V+与V-的终端连接器。此装置支持双直流电源，标准电压为直流 24V (直流电压范围为 12V-48V)。

安装SIM卡

- ▶ 卸下双SIM卡插槽的前版。
- ▶ 关闭电源，安装 SIM 卡到 SIM 1 的插槽 (SIM 1 为预设启用的 SIM 卡插槽)。
- ▶ 系统会在一分钟的启动时间去侦测 SIM 1 插槽的 Cellular 卡片，并自动联机上电信运营商。
- ▶ 如果要使用 SIM 2 做为 Cellular 联机备援，请在开机前分别安装好两张SIM 卡到 SIM 1 与 SIM 2 插槽。
- ▶ 如果要使用 SIM 2 做为 SIM 卡的启动插槽，可以透过网页接口来修改设定。当3G无法联机时，请到网页接口检查3G状态与设定。
- ▶ 如果上电后才插入SIM卡，请等待30秒，系统需重新侦测SIM卡。

本机与天线的安装及接地

- ▶ JetWave 2310/2311 支援导轨安装，相关导轨配件已先安装完成，您可以直接将装置挂在导轨上。
- ▶ 请根据您的型号，参照“外观说明”的部份将 WIFI 天线 (和/或) Cellular 天线安装到相对应的天线接孔位置。
- ▶ 本设备必须接地。接通电源前，为本设备及电源皆接地。

Web 软件接口

JetWave 2316 系列提供了网页接口可管理基本配置与进阶配置。

开始配置前，请先确认您的系统满足以下需求：

- ▶ 一台具有10/100/1000 Base-T(X) 网络接口的计算机。
- ▶ 设定一组静态IP地址 192.168.10.X (X 不可为0、1或255) 到这台计算机。若是连接在WAN接口，请设定一组静态IP地址 192.168.1.X。
- ▶ 默认这WAN和6个LAN以太千兆接口是路由模式，分属不同网段，您可以任选一个接口来存取网页管理接口。
- ▶ JetWave 2316 LAN 的默认 IP 地址为 192.168.10.1。
- ▶ JetWave 2316 WAN 的默认 IP 地址为 192.168.1.1。
- ▶ JetWave 2316 系列的 WIFI 默认设置为 AP 模式，SSID为JetWave2300_1，运作在 2437MHz (channel 6)。
- ▶ 打开网页浏览器(如: IE, Chrome, Firefox...)并输入IP地址(预设: 192.168.10.1)，您将会开启系统登入画面。
- ▶ 默认的使用者名称为“admin”。
- ▶ 默认密码为“admin”。
- ▶ 如需进阶设定请参考使用手册。
- ▶ 如果网页浏览器无法存取，请检查计算机的防火墙、JAVA 版本或连系您的技术支持窗口提供更进一步的协助。
- ▶ 备注: 若您不清楚设备的IP地址，您可以使用Korenix View Utility 来搜寻设备的IP地址，您可以在 Korenix 网页的Download(下载)页面下载。网站 <http://www.korenix.com>

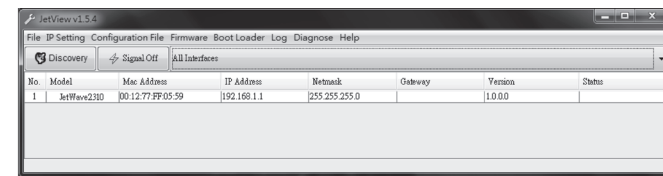
Korenix 查看工具

JetWave 2316 可支持最新版本的 Korenix View Utility管理软件，这个管理软件方便您搜寻网络地址与部分基本设定。

步骤 1：打开 Korenix View Utility管理软件 (必须是V1.6 版之后)。

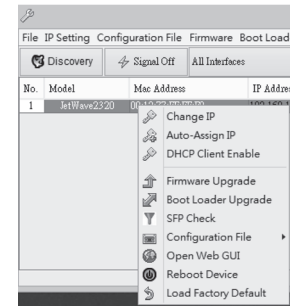
步骤 2：在网络卡列表中选择指定的网络卡或选All Interface(全部)。

步骤 3：按下“Discovery”(搜寻)，接着所有此网络的Korenix交换机/AP/网关和它们的产品名称,IP地址,MAC地址,Netmask 位址与软件版本...等讯息将可以被找到，并显示在设备列表下。



步骤 4：在搜寻到设备后，选取指定设备按下鼠标右键“Open Web GUI”即可允许您直接连上Web设定接口，您也可以于此直接修改IP/Netmask地址后按下“Change IP”直接修改其设定。

备注: 其他进阶软件设定部分请参考用户使用手册。



技术支持

5 年质保

每个Korenix的产品，在设计、生产和测试过程都遵循高的工业标准。Korenix保证其产品从交货起五年内无材料和工艺缺陷，但必须确保产品被正确地安装和使用。

质保产品由下情况造成的缺陷，失效或故障不在质保范围：

由强制实施造成的 (如洪水、火灾等)，其它外部力量，如电源干扰，过规格电源输入，或者接线错误，或者产品被误用、滥用，或者由未经授权或不当的方式运行、改造和维修。

注意! 为了避免火花损坏系统，请不要在带电的情况下插入电源接头。

我们的产品符合欧洲2002/95/EC，2011/65/EU标准和理事会于2003年1月21日关于限制电气和电子设备使用某些有害物质条例 (RoHS 条例 & RoHS 2.0)。

Korenix 客户服务

KoreCARE是Korenix科技的全球服务中心，在那里我们的专业人员随时为你解决问题。

Korenix 全球服务中心: KoreCARE@korenix.com。

文件下载: <http://www.korenix.com> -> Download

Korenix Technology Co., Ltd. (A Beijer Electronics Group Company)

Tel: +886-2-89111000

Fax: +886-2-29123328

Business service: sales@korenix.com

Customer service: koreCARE@korenix.com

www.korenix.com

CPQ00W2316000

Patent No. (Taiwan):

Granted Invention: I 313547

Granted Invention: I 321415

Granted Invention: I 344766

Granted Invention: I 346480

Granted Invention: I 356616

Granted Invention: I 364684

Granted Invention: I 376118

Granted Invention: I 393317

Granted Invention: I 398066

Granted Invention: I 398125

Granted Invention: I 459757

Utility Model: M 339841

Utility Model: M 339840