

Overview

JetCon 3701GP-U is an Ethernet to fiber optic PoE media converter. It conforms IEEE802.3 10Base-T, IEEE802.3u 100Base-TX, and IEEE 802.3ab 1000Base-T supports RJ-45 copper to 1000/100 fiber conversion. JetCon 3701GP-U are classified as power source equipment (PSE), providing up to 90 watts to powered devices(PD). It could be used to power IEEE 802.3af/at/bt compliant powered devices (PD). The JetCon 3701GP-U adopts rugged metal case design to operate in harsh environment (-40~75°C). It also IP-31 standard protection. It features link loss forwarding raise an alarm when a remote fault occurs and also adopts one relay output to alarm users if power fails. Alarm can be enable/disable by dip switch. The fiber port supports SFP sockets for several of SFP transceiver to achieve different link distance.

JetCon 3701GP-U recommend working voltage is DC 48V. (Input range: DC44~ 57 V)

Package List

- ▶ JetCon 3701GP-U Industrial Media Converter
- ▶ Quick Installation Guide

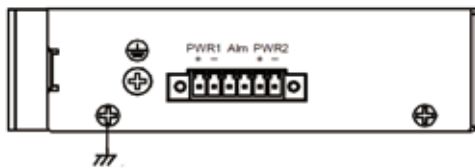
Installation

Mount the unit

Din-Rail mount: Mount the din-rail clip on the rear of JetCon 3701GP-U on the DIN rail. For information about the DIN Rail installation, please refer to user's manual.

Grounding JetCon 3701GP-U

There is one grounding screw on the bottom side of JetCon 3701GP-U . Connect the frame grounding of JetCon 3701GP-U to the grounding surface to ensure safety and prevent noise for communication interference.



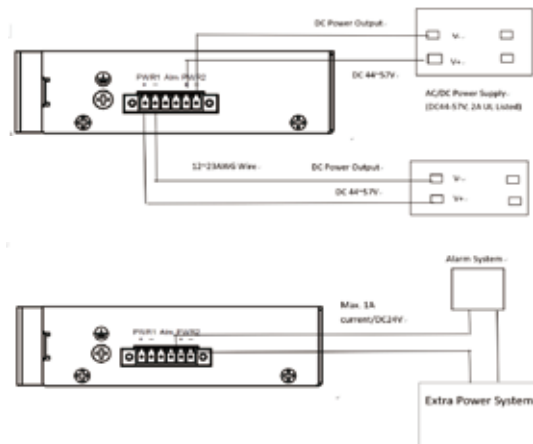
Wiring the Power Inputs

1. Insert the positive and negative wires into the V+ and V- contact on the terminal block connector.
2. Tighten the wire-clamp screws to prevent the power wires loosened.

Wiring the Relay Output

The relay output contacts are in the middle of the terminal block connector as shown below. By inserting the wires, relay output alarm will detect power fault, and form a short circuit. The alarm relay output is "Normal Open". For more information, please refer Manual chapter for more detail.

Note: The relay contact only support 1A current, DC 24V. It does not recommend apply higher voltage and current that over this specification.

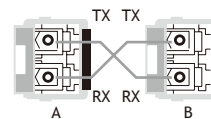


Connecting to Network

Connecting the Gigabit PoE port: The port supports IEEE 802.3af/at/bt PoE standard. Thus, the PoE port can offer 15W/30W/60W/90W power. One end of an Ethernet cable into the UTP port of JetCon 3701GP-U , while the other end is connected to the attached networking device. UTP port support auto MDI/MDIX function. The LNK / ACT LED will turn on and flash to indicate RJ-45 port link and the packets received and transmitted from RJ-45.

Install Gigabit SFP transceiver and make the connection: Connect the fiber port on your JetCon 3701GP-U to another Gigabit Fiber Ethernet device, by following the figures below. Wrong connection will cause the fiber port not working properly. The SFP Fiber port supports 1. LEDs for link/activity,once the gigabit fiber port is in up, the link LED will be trigger to "ON"

ATTENTION
This is a Class 1 Laser/LED product.
Don't stare into the Laser/LED Beam.



Support

5 Years Warranty

Each of Korenix's product line is designed, produced, and tested with high industrial standard. Korenix warrants that the Product(s) shall be free from defects in materials and workmanship for a period of five (5) years from the date of delivery provided that the Product was properly installed and used.

This warranty is voided if defects, malfunctions or failures of the warranted Product are caused by damage resulting from force measure (such as floods, fire, etc.), other external forces such as power disturbances, over spec power input, or incorrect cabling; or the warranted Product is misused, abused, or operated, altered and repaired in an unauthorized or improper way.

Attention! To avoid system damage caused by sparks, please DO NOT plug in power connector when power is on.

The product is in compliance with Directive 2002/95/EC and 2011/65/EU of the European Parliament and of the Council of 27 January 2003 on the restriction of the use of certain hazardous substances in electrical and electronics equipment(RoHS Directives & RoHS 2.0)

Korenix Customer Service

KoreCARE is Korenix Technology's global service center, where our professional staffs are ready to solve your problems at any time Korenix global service center's e-mail is KoreCARE@korenix.com.

For more information and documents download please visit our website:
<http://www.korenix.com/page/doc/index.aspx>